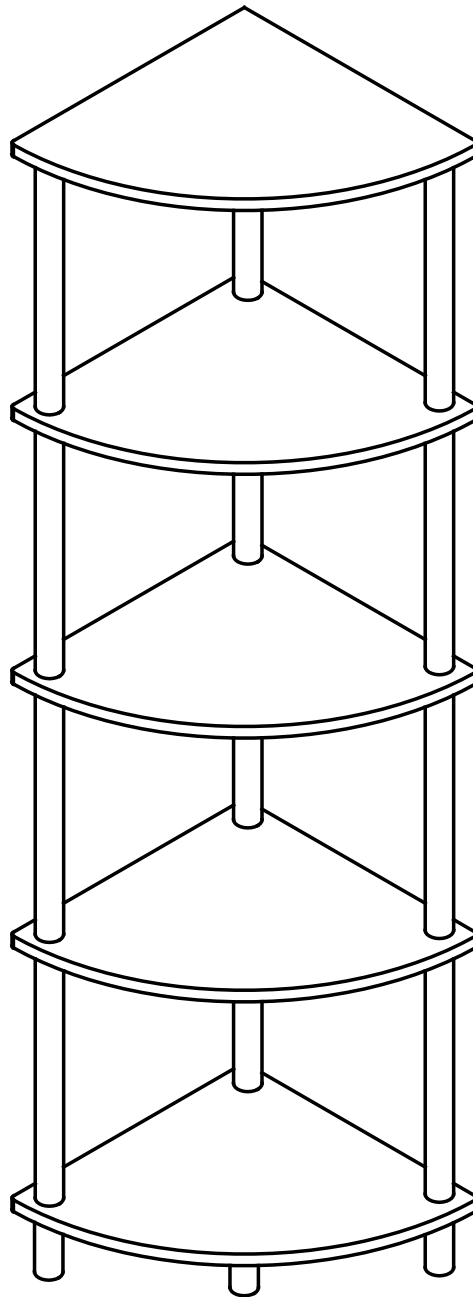


Eden

Corner Shelf

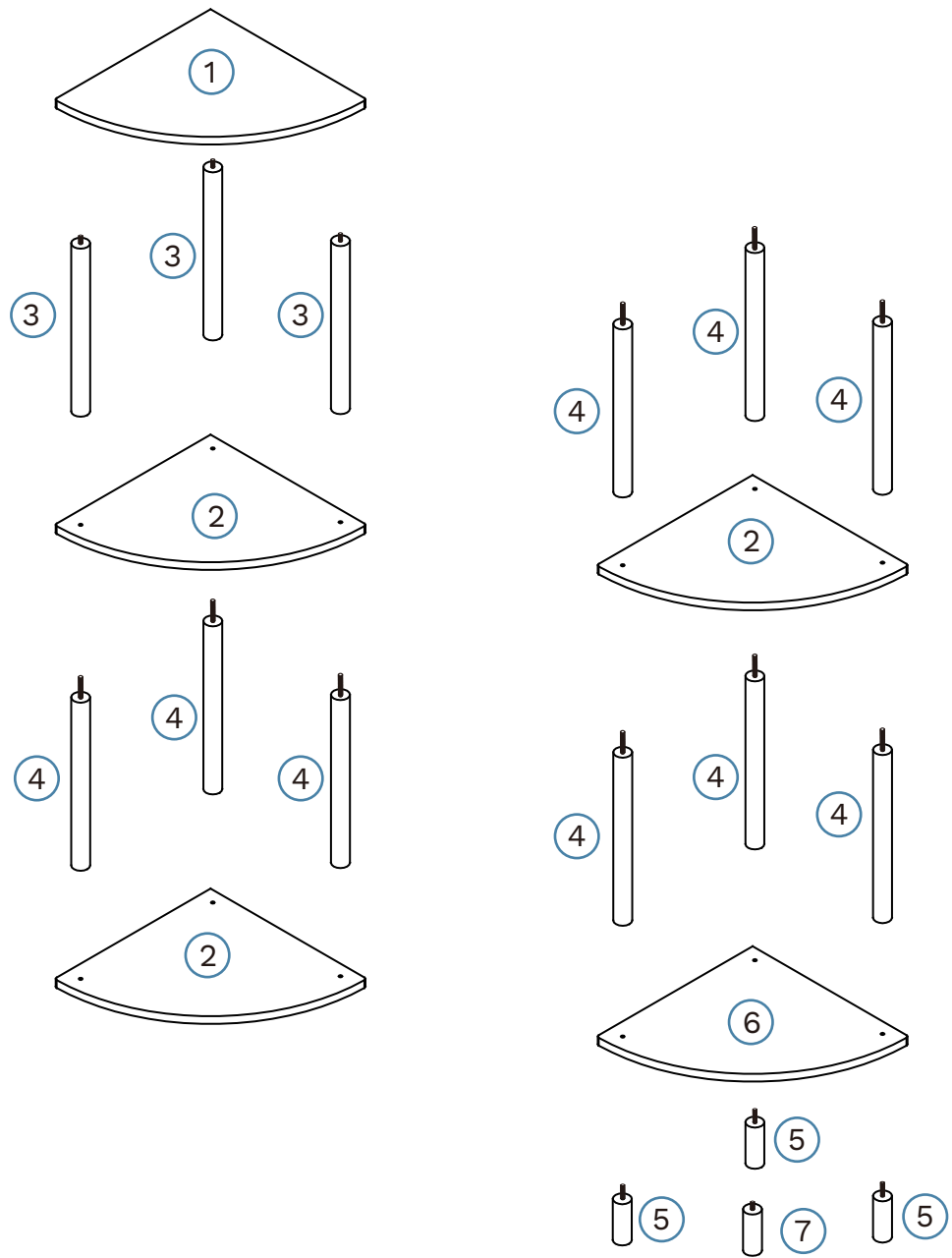
Thank you for your purchase. Please follow the instructions for correct assembly. While we took great effort to ensure these assembly instructions were correct at the time of printing, sometimes updates are required post production. For the most up to date versions please refer to the product page on our website. mocka.com.au/mocka.co.nz



Eden

Corner Shelf

Panel Layout

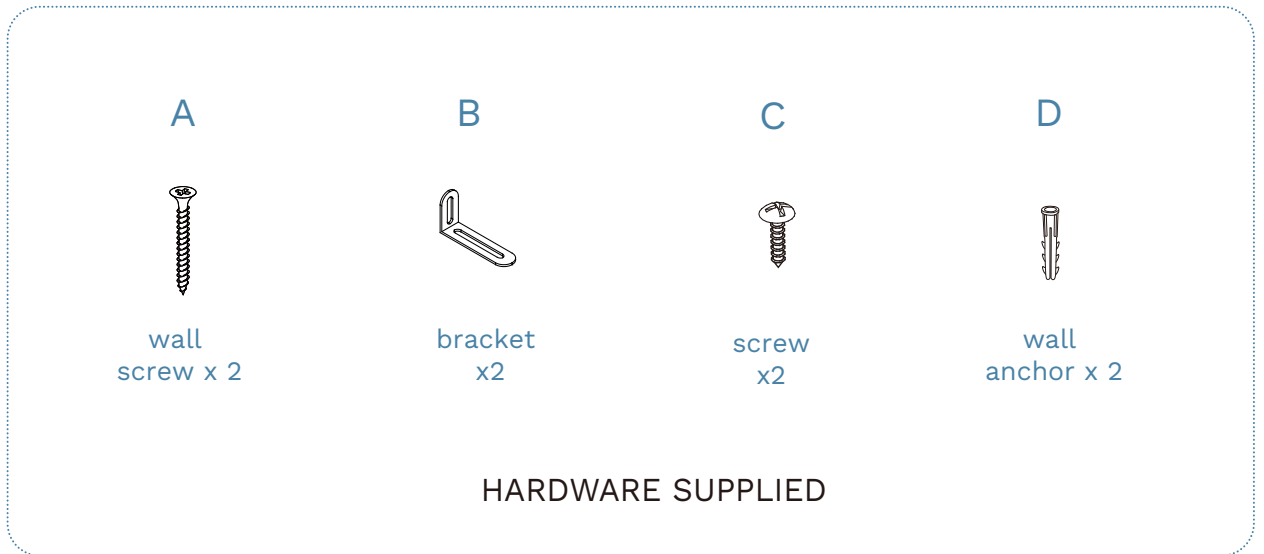


Partlist

①	Top Panel	x1	⑤	Leg	x3
②	Shelf Panel	x3	⑥	Bottom Panel	x1
③	Leg	x3	⑦	Leg	x1
④	Leg	x9			

Eden

Corner Shelf



WARNING: Any furniture that is not anchored to a wall has the potential to tip over in certain circumstances, i.e. if a child attempts to climb up on the furniture or in the event of an earthquake. Accordingly, we recommend that all furniture is anchored to a wall. We supply a free safety wall anchor with all furniture sold and we recommend these are used to prevent your product tipping. The fixing device provided should fit most wall types, but please note that different wall materials may require different fixing devices from those supplied.



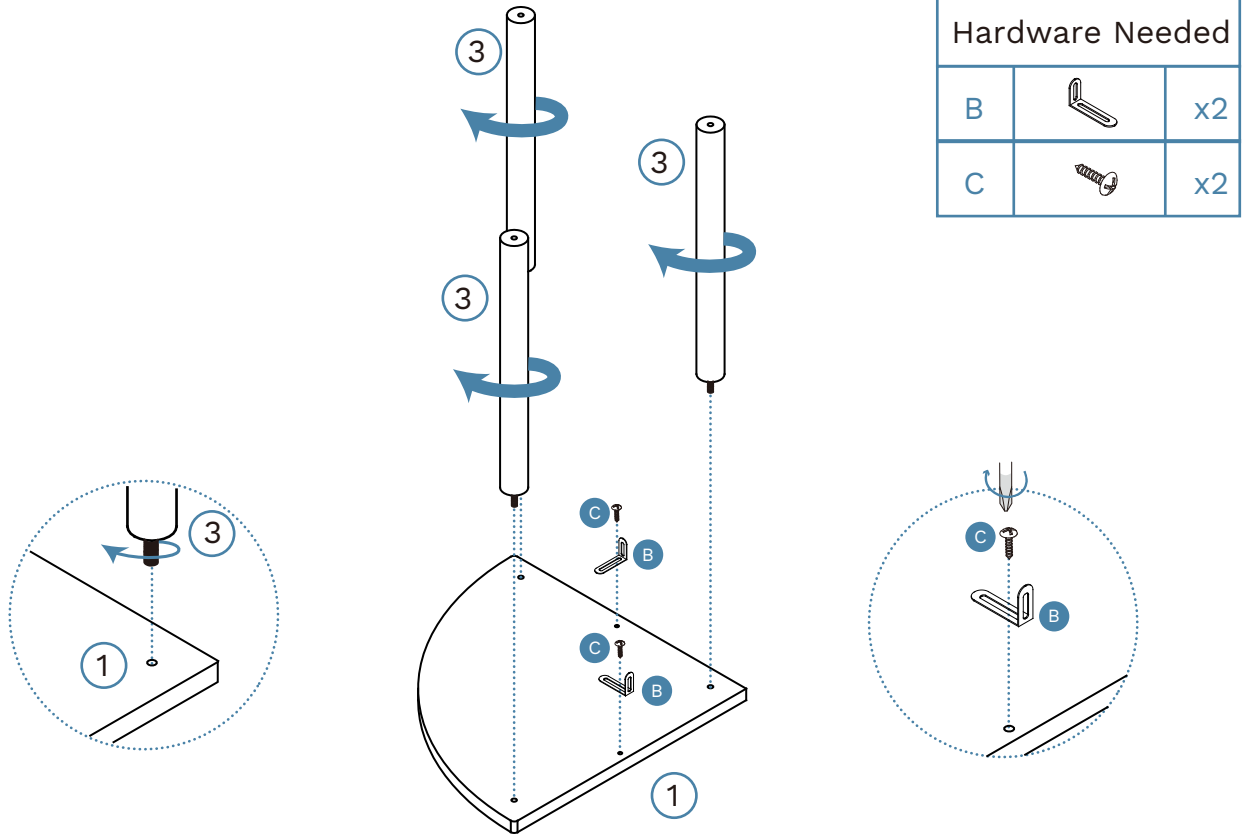
Phillips screwdrivers required

For quicker assembly, we recommend the use of a power drill on a low-speed setting.

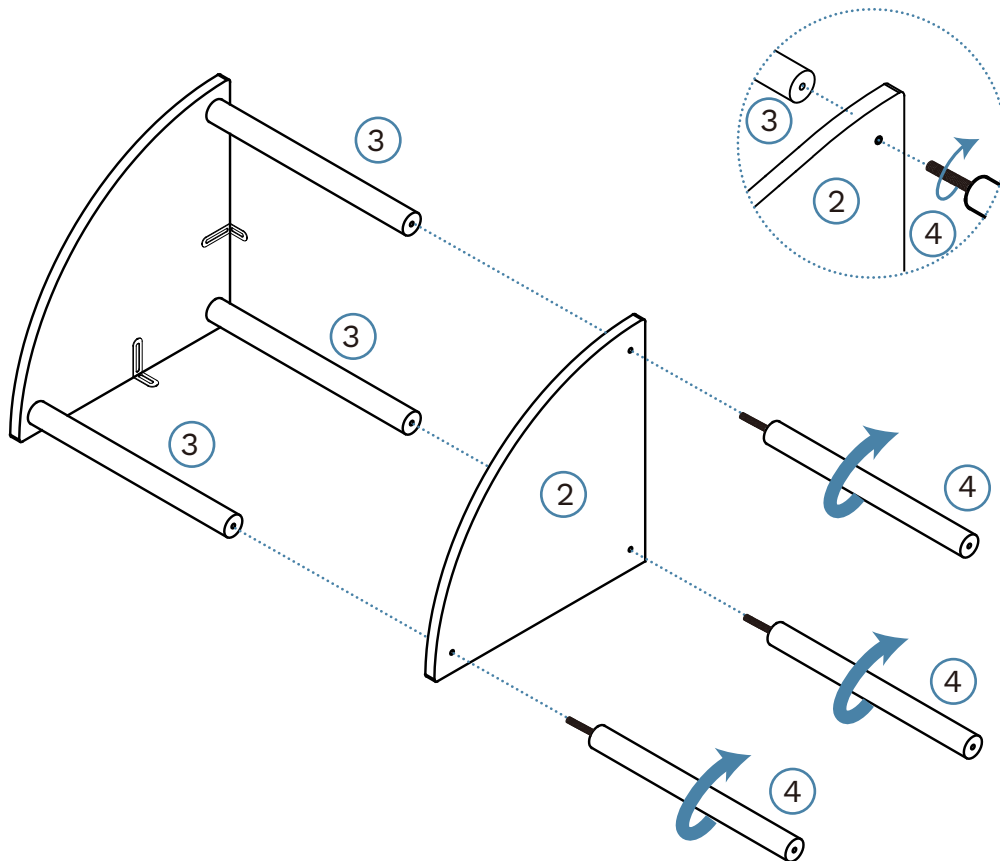
Eden

Corner Shelf

1



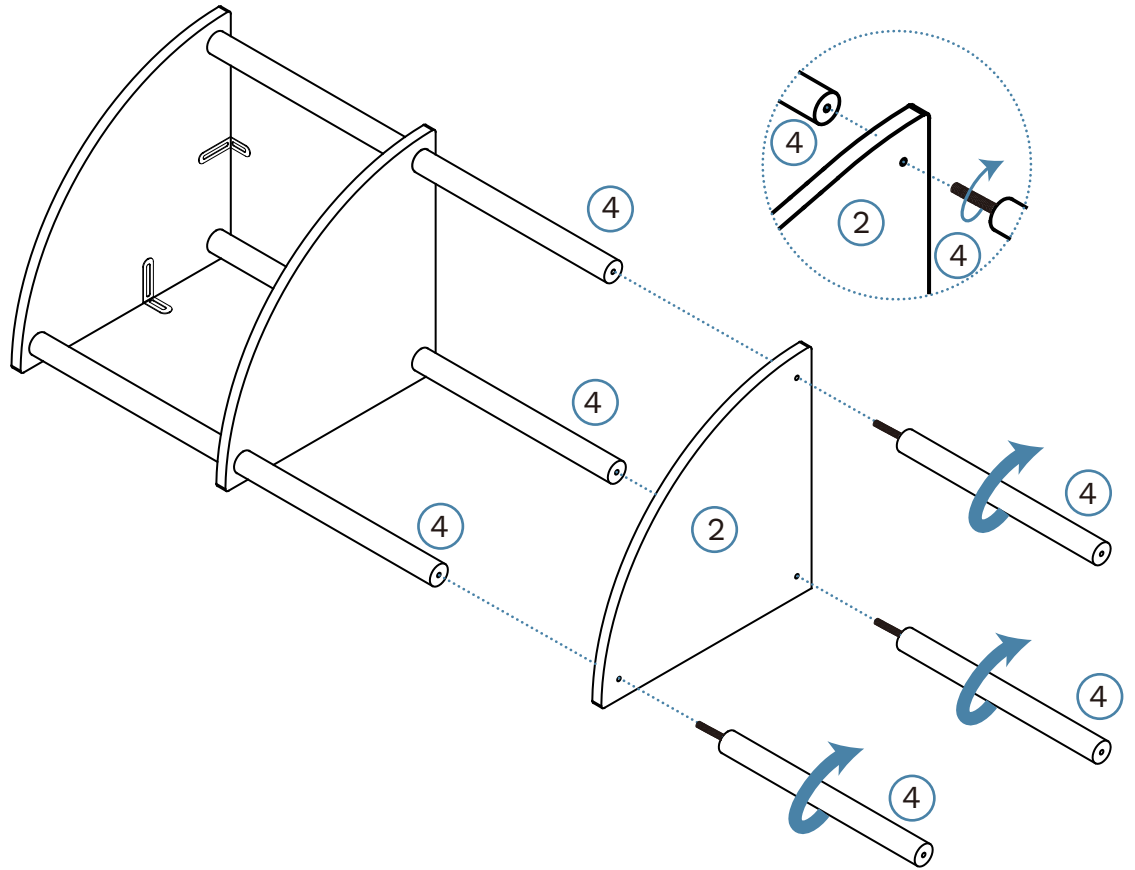
2



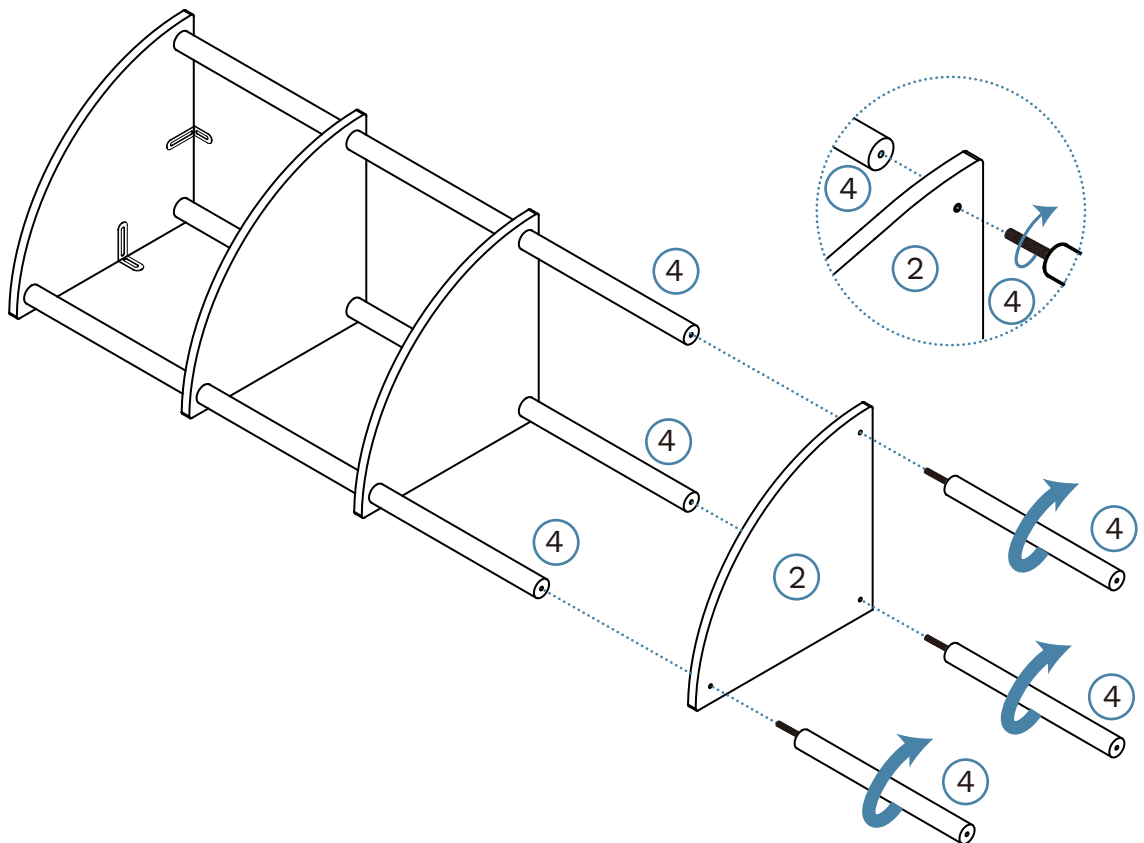
Eden

Corner Shelf

3



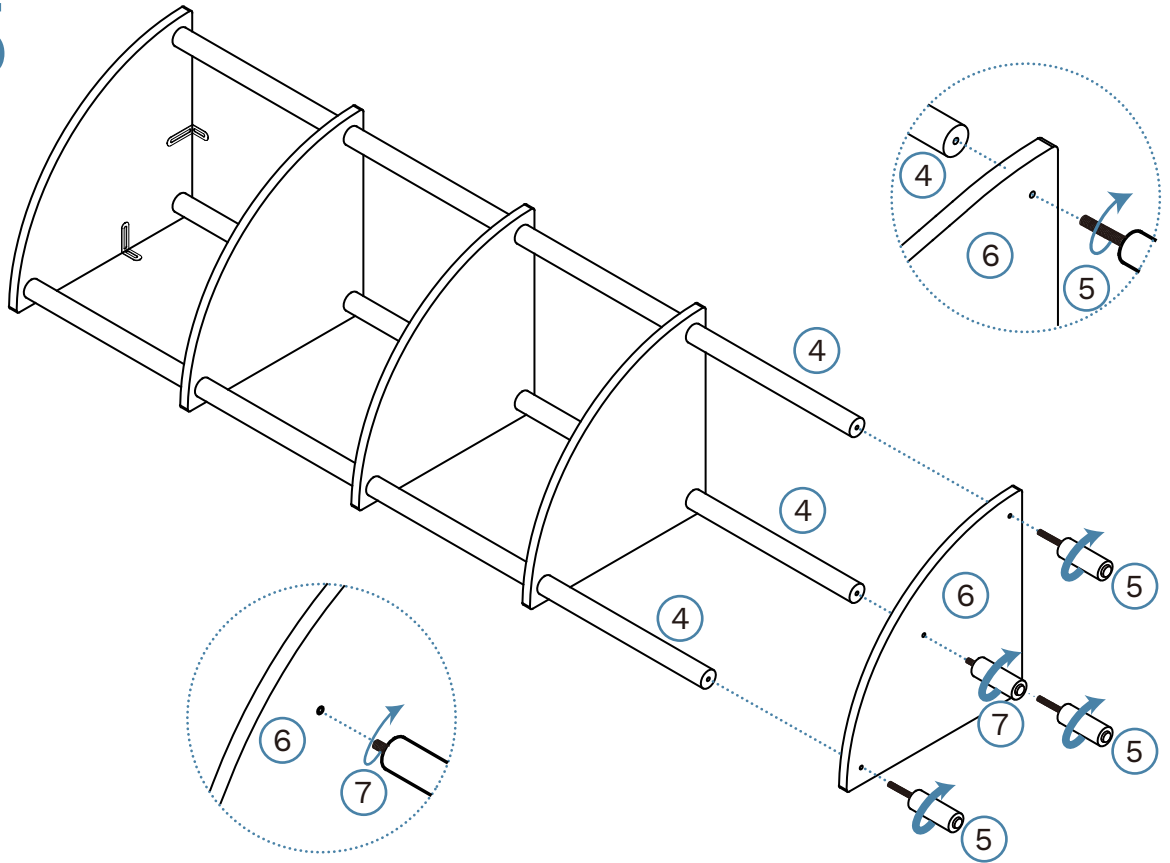
4



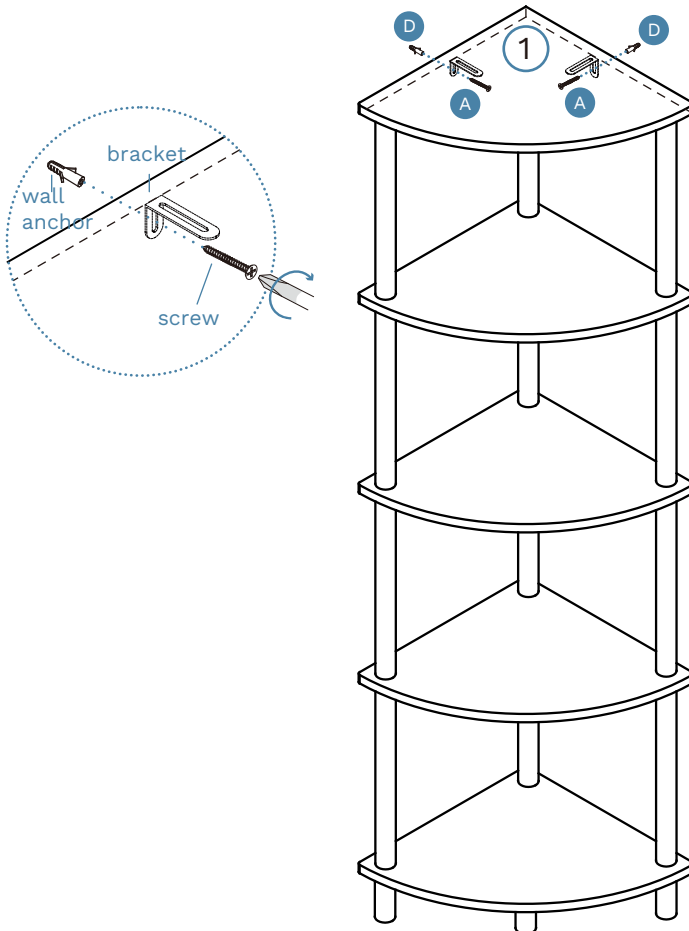
Eden



Corner Shelf

5



6



Hardware Needed		
A		x2
D		x2

Note: Seek advice from a qualified trades person on how to attach this bracket to your specific wall.

Once assembled lift furniture into place, do not drag. You're done, enjoy!

mocka.co.nz | mocka.com.au

Mocka.